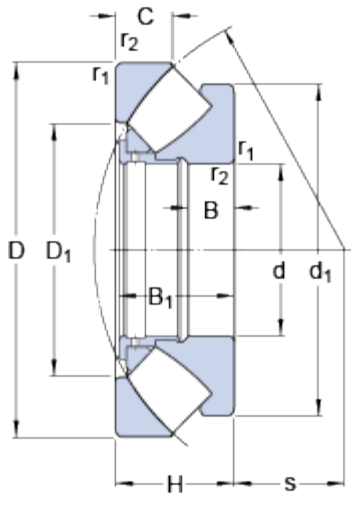


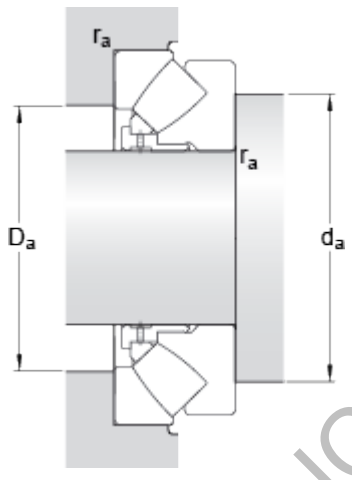
29252 E

Dimensions



d	260	mm
D	360	mm
H	60	mm
d ₁	≈ 350	mm
D ₁	≈ 302	mm
B	19	mm
B ₁	57	mm
C	30	mm
s	139	mm
r _{1,2}	min. 2.1	mm

Abutment dimensions



d _a	min. 310	mm
D _a	max. 326	mm
r _a	max. 2	mm

Calculation data

Basic dynamic load rating	C	817	kN
Basic static load rating	C ₀	3650	kN
Fatigue load limit	P _u	345	kN
Reference speed		1100	r/min
Limiting speed		1700	r/min
Minimum axial load factor	A	1.3	

Mass

Mass bearing		18.5	kg
--------------	--	------	----